



ULR-IN-HWDR-200W

LED INDOOR ELECTRONIC RIBBON LIGHT
HARDWIRE DRIVER

TECHNICAL SPECIFICATIONS:

- Output power: 200W
- Output Current: 0~8.8A
- Output DC Voltage: 24V
- Setup, Rise time: 1300ms, 50ms/230VAC
1300ms, 50ms/115VAC at full load
- Hold up time: 16ms/230VAC 12ms/115VAC at full load
- Leakage Current: <2mA / 240VAC
- Efficiency: 89.5%

FEATURES:

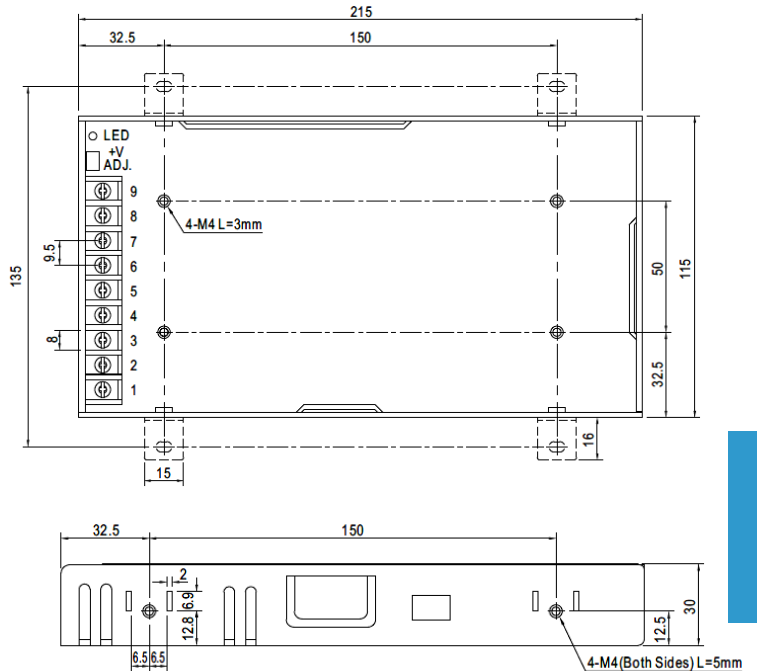
- LED indicator for power on
- No load power consumption < 0.75W
- AC input range selected by switch
- Operating temperature: up to 158°F
- Protections: Short circuit, Overload, Over voltage, Over Temperature
- Cooling by free air convection
- Withstand 5G vibration test
- 100% full load burn-in-test

CERTIFICATIONS:



DIMENSIONS:

8.46"(L) X 4.52"(W) X 1.18"(H) inch



MODEL	OUTPUT CURRENT	OUTPUT POWER	OUTPUT VOLTAGE
ULR-IN-HWDR-200W	0~8.8A	200W	24V

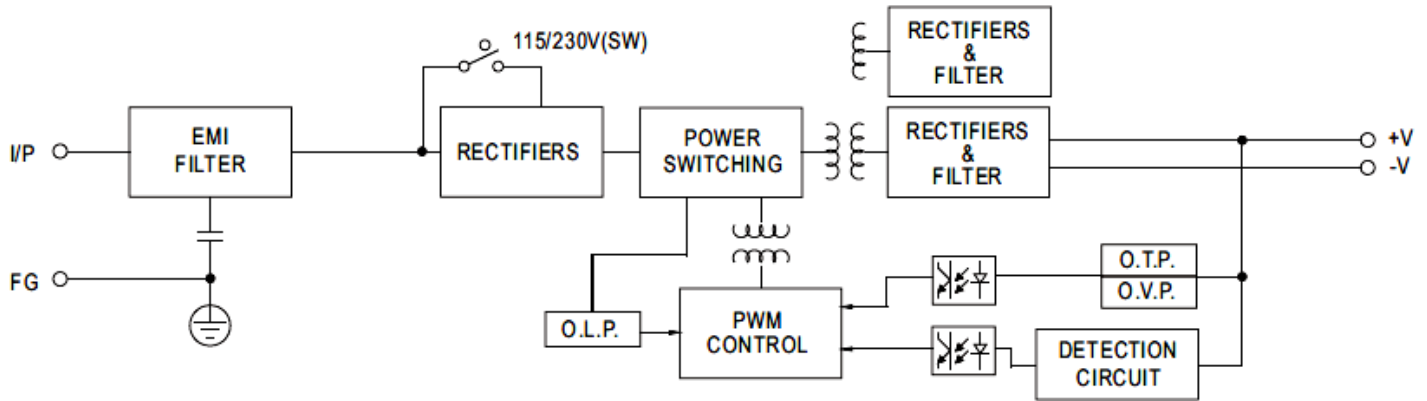


ULR-IN-HWDR-200W

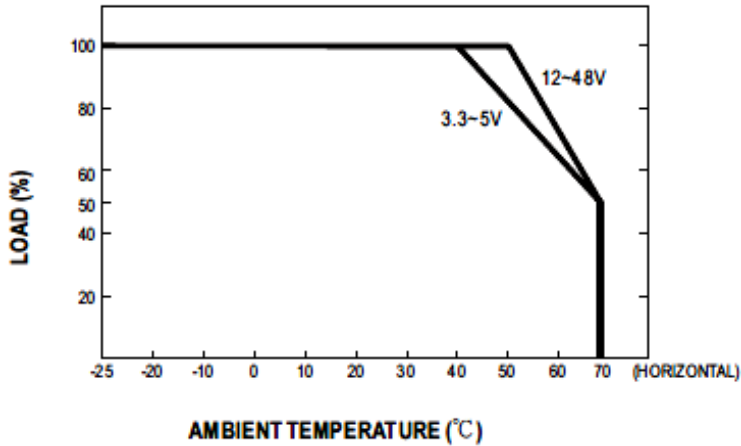
LED INDOOR ELECTRONIC RIBBON LIGHT
HARDWIRE DRIVER

MODEL	OUTPUT CURRENT	OUTPUT POWER	OUTPUT VOLTAGE
ULR-IN-HWDR-200W	0~8.8A	200W	24V

TYPICAL WIRING DIAGRAM:



DERATING CURVE:



STATIC CHARACTERISTICS:

